

SUBMITTAL SHEET

JOB NAME	ITEM TAG
JOB LOCATION	PART NUMBER
CONTRACTOR	DATE
ENGINEER APPROVAL	DATE

LEAD-FREE TRADITIONAL MULTI-TURN STRAIGHT CHROME SUPPLY STOPS T/S-582NL, T-582PNL, S-582ETNL, T/S-584NL and T-591PNL

Lead-free design is suitable for all no-lead potable water installations, in full compliance of all lead-free plumbing laws.

Compact, lead-free brass body is machined from a single piece of barstock, providing the highest level of durability and strength.

Thermoplastic stems (except sweat configurations) resist scale and debris build-up better than metallic stems, even in hard water conditions.

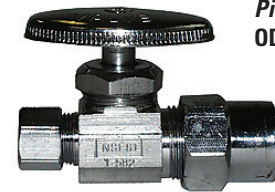
Each stop is individually packaged, preventing connection component loss and protecting the stop from contamination.

Available in seventeen configurations, including compression, PEX, sweat, extended-tube and FNPT inlet connections.

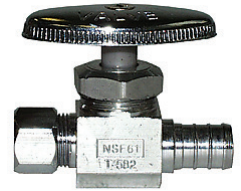
- Third-party tested and certified in compliance with U.S. Federal Public Law 111-380 (National lead-free plumbing law).
- Certified to NSF / ANSI 61-G
- End connections conform to: ANSI/ASME B1.20.1 (FNPT) ANSI/ASME B16.18 (CTS) ASTM F1807 (PEX barb)
- Manufactured in an ISO accredited facility.



**Pictured:
OD Compression**



**Pictured:
CPVC x Compression**



**Pictured:
PEX x Compression**



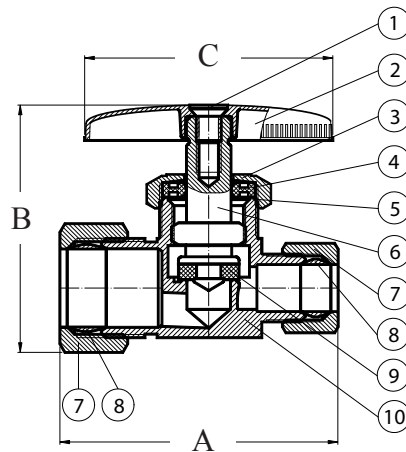
Working Pressure, Non Shock (PSI)

Cold working pressure (CWP): 110 p.s.i.

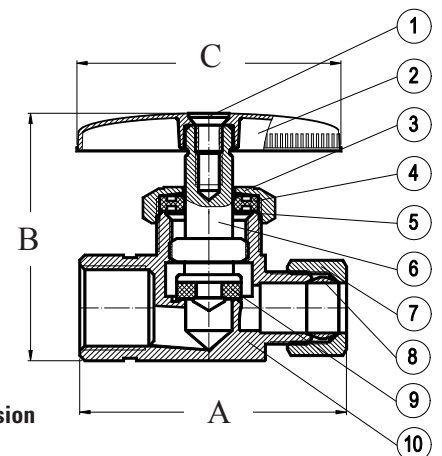
Saturated steam (WSP): Not suitable for steam service

DIMENSIONS

(Inlet x Outlet)	A	B(closed)	C
1/4" OD x 1/4" OD	2.12	1.88	2.02
3/8" OD x 3/8" OD	2.10	1.85	2.02
3/8" FNPT x 3/8" OD	2.04	1.88	2.02
1/2" FNPT x 3/8" OD	1.93	1.93	2.02
5/8" OD x 3/8" OD	2.26	2.00	2.02
1/2" CPVC x 3/8" OD	2.74	2.00	2.02
1/2" PEX x 3/8" OD	2.22	1.89	2.02
1/2" PEX x 1/2" PEX	2.34	1.89	2.02
1/2" Sweat x 3/8" OD	1.88	1.88	2.02
1/2" Sweat extended-tube x 3/8" OD	6.57	2.69	2.02
1/2" OD x 1/2" OD	2.28	1.96	2.02
1/2" FNPT x 1/2" OD	2.02	1.93	2.02
5/8" OD x 1/2" OD	2.35	2.00	2.02
1/2" Sweat x 1/2" OD	1.98	1.88	2.02
1/2" FNPT x 1/2" or 7/16" OD Slip-joint	2.02	1.93	2.02
5/8" OD x 1/2" or 7/16" OD Slip-joint	2.34	1.99	2.02
1/2" Tubing sweat x 1/2" or 7/16" OD Slip-joint	1.98	1.89	2.02



**Pictured:
OD Compression**
Cut-away view

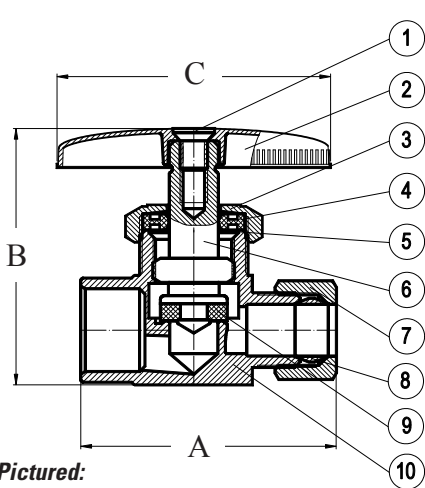


**Pictured:
FNPT x Compression**
Cut-away view

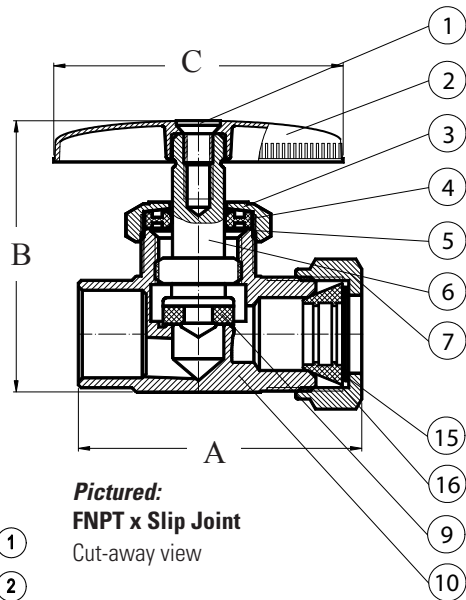
SUBMITTAL SHEET

JOB NAME	ITEM TAG
JOB LOCATION	PART NUMBER
CONTRACTOR	DATE
ENGINEER APPROVAL	DATE

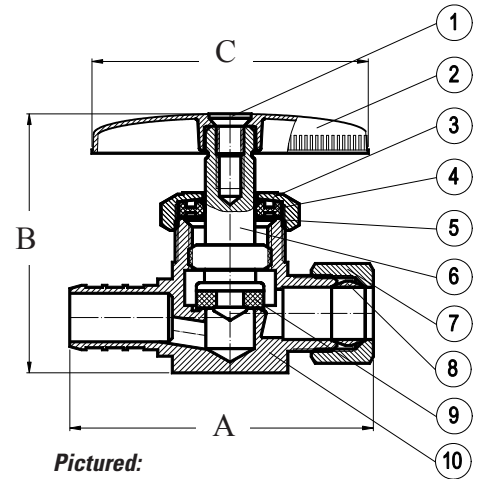
MATERIAL SPECIFICATION		
PART	MATERIAL	SPECIFICATION
1 Handle screw	Chrome plated brass	JIS 3260 UNS C2600W
2 Handle	Chrome plated die-cast brass	ASTM Z30A Copper alloy #858
3 Bonnet	Chrome plated forged brass	UNS Alloy C37700
4 Stem packing	EPDM rubber	Commercial grade, NSF approved
5 Anti-friction packing support washer	Stainless steel	AISI grade 304
6 Stem	Acetal copolymer (Sweat configurations: CP lead-free forged brass)	Celcon® M90 resin (Sweat configurations: UNS Alloy C46400)
7 Compression nut	Chrome plated forged brass	UNS Alloy C37700
8 Compression ferrule	Lead-free forged brass	UNS Alloy C46400
9 Seat washer	EPDM rubber	Commercial grade, NSF approved
10 Body	Lead-free chrome plated forged brass	UNS Alloy C46400
11 Extension tube (model S-582ETNL only)	Lead-free chrome plated brass	UNS Alloy C26000
12 Escutcheon (model S-582ETNL only)	Stainless steel	AISI grade 304
13 Adapter gasket (1/2" CPVC T-582NL only)	NBR (Buna-N) rubber	Commercial grade, NSF approved
14 CPVC tubing adapter (1/2" CPVC T-582NL only)	Virgin CPVC resin	ASTM D1784, Class 23447
15 Anti-friction washers (two) (model T/S-584NL only)	Lead-free brass	UNS Alloy C26000
16 Slip-joint gasket (model T/S-584NL only)	EPDM rubber	Commercial grade, NSF approved



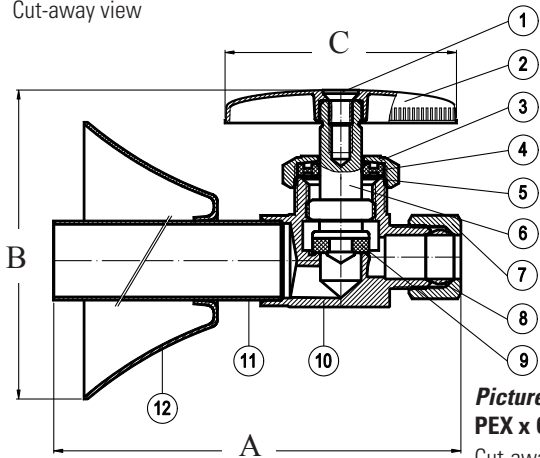
Pictured:
Sweat x Compression
Cut-away view



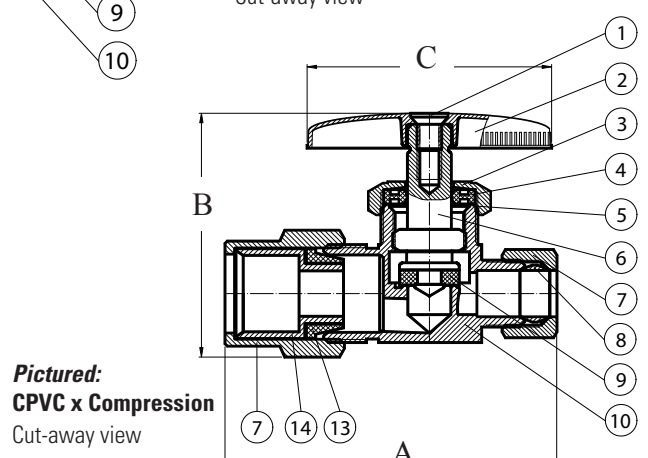
Pictured:
FNPT x Slip Joint
Cut-away view



Pictured:
PEX x Compression
Cut-away view



Pictured:
PEX x Compression
Cut-away view



Pictured:
CPVC x Compression
Cut-away view